

LK4520** Down Light Kit Installation Instructions

READ AND SAVE THESE INSTRUCTIONS

Weight: 7.5 lbs (3.4 kgs)

NOTE: This LK Accessory is to be used for the Involution™ Ceiling Fan only.



▲ WARNING

Use only with light kits marked suitable for use in damp locations.

CAUTION

To reduce the risk of fire, use 75-watt max. type T4-minican JD E11 tungsten halogen bulb. Turn off the wall switch and allow the bulb to cool for 10 minutes before relamping.

CAUTION

Turning off wall switch is not sufficient. To reduce the risk of fire and electrical shock, be sure electricity is turned off at the main fuse box to the fan before installing the accessory.

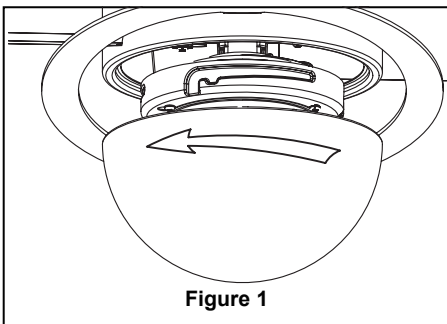


Figure 1

Fig-1. Remove Lower Cover Assembly by twisting in a counter-clockwise direction.

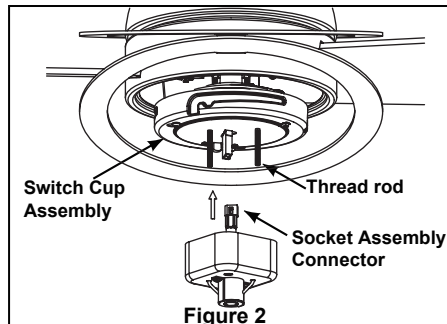


Figure 2

Fig-2. Install two threaded rods on switch cup assembly and securely attach the Socket Assembly Connector to wire harness socket on the Switch Cup Assembly.

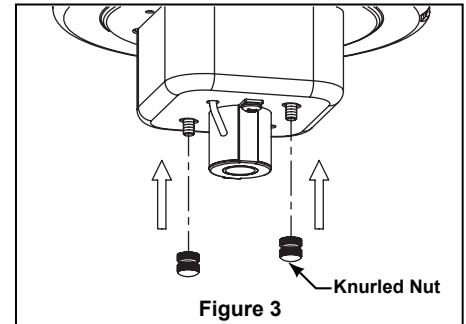


Figure 3

Fig-3. Install Socket Assembly with two Knurled Nuts provided.

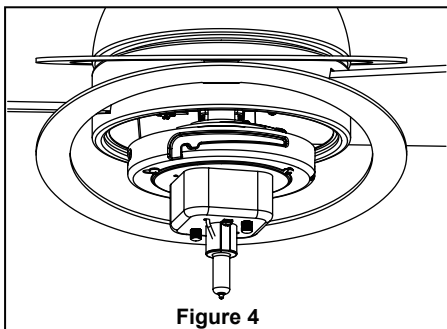


Figure 4

Fig-4. Install one Minican Bulb (included - 75 Watts max) in the socket on the Socket Assembly.

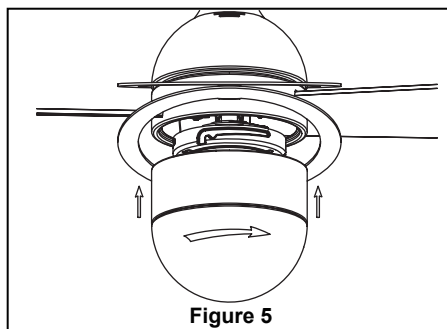


Figure 5

Fig-5. Assemble the Down Light Housing/ Glass Assembly by twisting in the clockwise direction. Don't over-tighten.

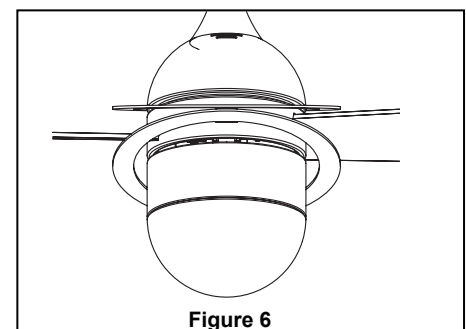


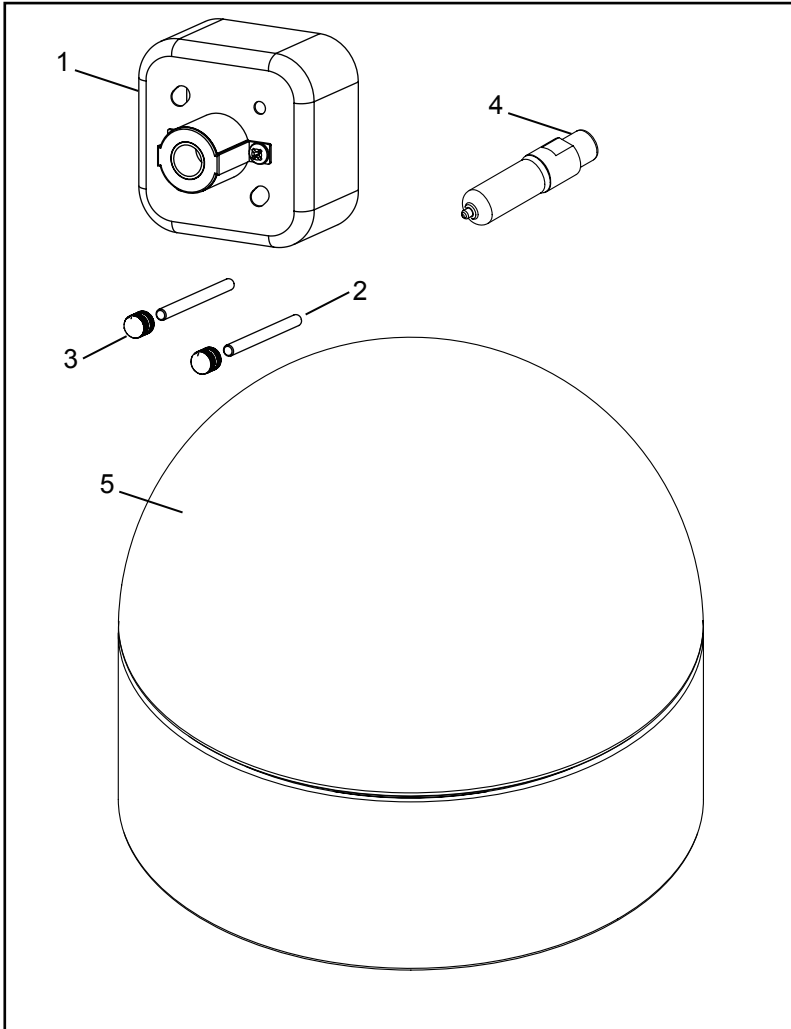
Figure 6

Fig-6. Restore electrical power.

CAUTION

Bulb is pressurized and may shatter. DO NOT TOUCH BULB WITH BARE HANDS. Fingerprints may result in shorter bulb life. Remove fingerprints with alcohol prior to use.

LK4520** Down Light Kit Service Parts



Parts List - LK4520**

Item #	Description	Qty.	Part #
1	Socket Assembly	1	AP452011
2	Thread Rod	2	-
3	Knurled Nut	2	-
4	Bulb-75W E11 Minican	1	PPE11B75
5	Down Light Assembly	1	AP452008**

Before discarding packaging materials, be certain all parts have been removed

How To Order Parts

When ordering repair parts, always give the following information:

- Part Number
- Part Description
- Fan Model Number

Contact your retail store for repair parts.



10983 Bennett Parkway
Zionsville, IN 46077
(888) 567-2055

FAX (866) 482-5215
Outside U.S. call (317) 733-4113
Visit Our Website www.fanimation.com