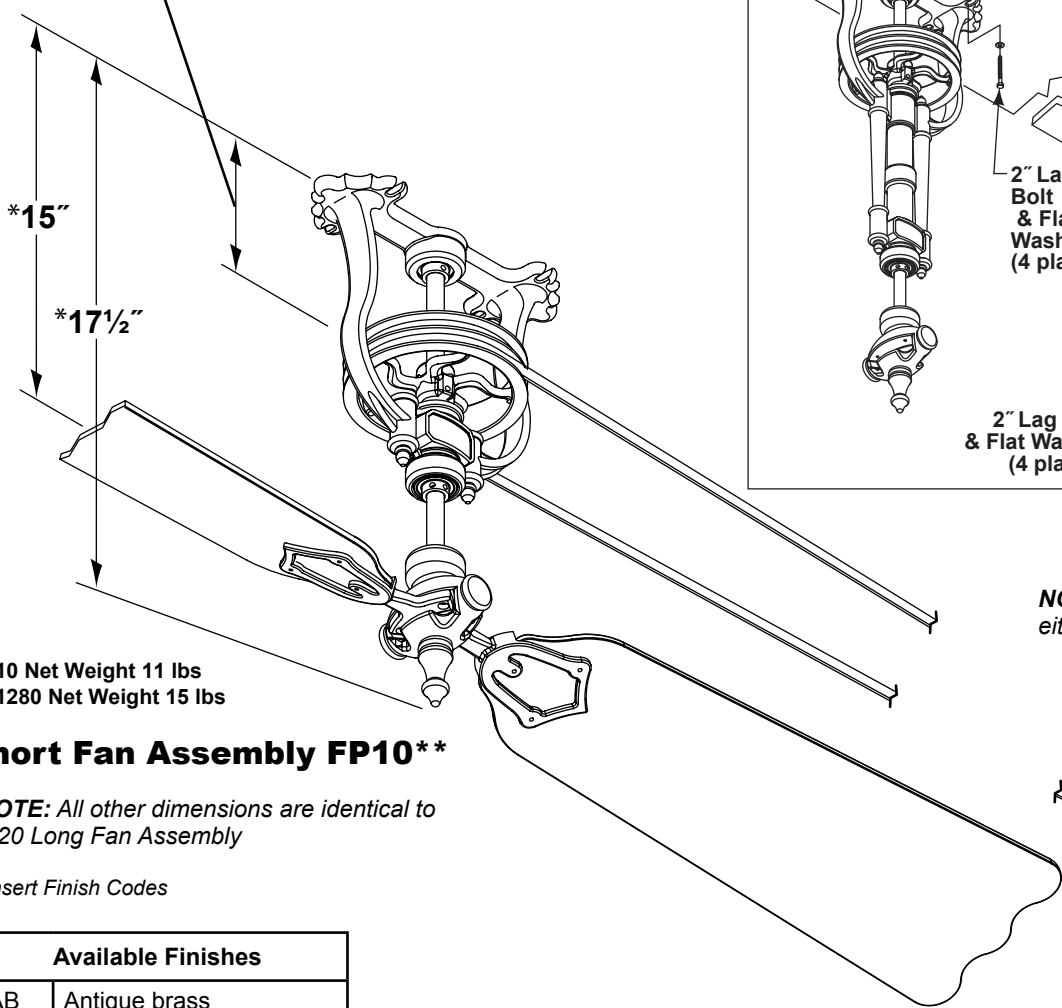


BREWMASTER®

Short Neck Fan Assembly

5¾" from ceiling to center of double pulley
NOTE: Pulley height may be adjusted



FP10 Net Weight 11 lbs
 FP1280 Net Weight 15 lbs

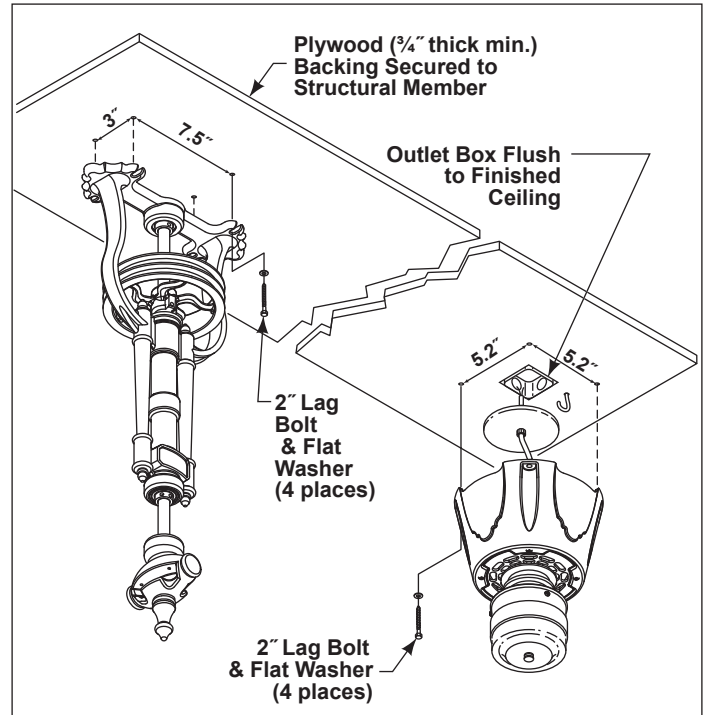
Short Fan Assembly FP10**

***NOTE:** All other dimensions are identical to FP20 Long Fan Assembly

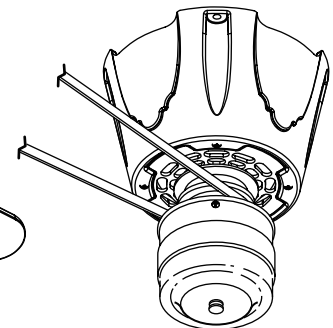
**Insert Finish Codes

Available Finishes	
AB	Antique brass
BL	Black
PW	Pewter

Motor Unit with Long Neck Fan Assembly			
	Fan Speed (RPM)		
	High	Medium	Low
One-FP10**	125	100	80
Two-FP10**	105	70	50
Three-FP10**	90	50	35
Four-FP10**	80	40	28



NOTE: Motor may be mounted at either end or in the middle.



Ordering Information (Items Sold Separately)

Item	Catalog No.	Description
Short Fan Assembly	FP10**	1-short pulley assembly 30 ft. of 3/8" belt 2-traditional blade holders 2-wood blade holders 4-hardware bags
One Motor Unit	FP1280**	Three-speed, reversible 1-splice/hardware kit TR20WH remote control 1-mounting hardware bag
Blade Sets (sold separately) See catalog or www.fanimation.com for additional blade options	FP1022	Reversible oak/walnut
	FP1026	Cherrywood
	FP1030	Rosewood (glossy)

NOTE: The RPM's are approximate and may vary by fan and application.

**Insert Finish Codes