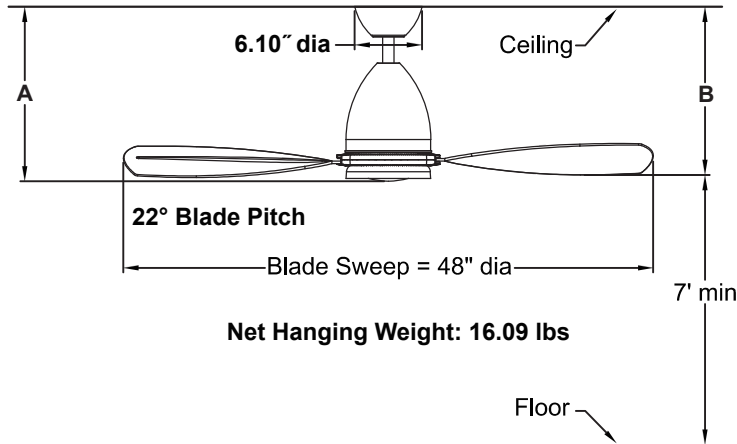


DUPLEX™

FPD6254GR Ceiling Fan



	A	B
Fan w/ 6" downrod	16.29"	15.92"
Fan w/12" downrod	22.29"	21.92"
Fan w/18" downrod	28.29"	27.92"
Fan w/24" downrod	34.29"	33.92"
Fan w/36" downrod	46.29"	45.92"
Fan w/48" downrod	58.29"	57.92"
Fan w/60" downrod	70.29"	69.92"
Fan w/72" downrod	82.29"	81.92"



INSTALLATION REQUIREMENTS:

Fan must be attached to a securely anchored electrical junction box capable of withstanding a load of at least 35 lbs.

ELECTRICAL REQUIREMENTS:

Requires a grounded electrical supply line of 120 volts AC, 60 Hz, 15 amp circuit.

MOTOR SPECS:

DC-125NS sensorless DC motor is designed for optimal performance with this fan.

BLADES:

A set of two 21" composite blades is included.

LIGHTING OPTIONS:

One 18-watt LED included.

CONTROL OPTIONS:

TR39 hand-held DC fan remote control is included. Push button remote control has 6 fan speeds, infinite light levels, reverse and off button. Optional TW40 wall control available—sold separately. Instructions are provided with each control.

DOWNROD OPTIONS:

Fan comes with a 1" dia. x 6" long downrod (DR1-6). Optional downrods are available in 12", 18", 24", 36", 48", 60" and 72" lengths. A downrod coupler is available for installations requiring a downrod longer than 72". The fan can be mounted on a sloped ceiling up to 27°. Optional sloped ceiling ball kits (SCB1-52) are available for slope angles greater than 27° and up to 42°. Call technical support for more information.

LOCATION USE:

Fan is rated for dry location only.

Available Finish

GR	Matte Greige with Matte Greige Blade and Opal Frosted LED cover
----	-----------------------------------------------------------------

Airflow / Energy Efficiency Info (120V)

Fan Speed	Max RPM	CFM	CFM / Watts	Amps	Watts
I	63	1909	830	0.05	2
II	82	2498	609	0.07	4
III	102	3077	446	0.11	7
IV	122	3812	303	0.19	13
V	138	4379	211	0.30	21
VI	158	5013	155	0.44	32

Energy Guide FTC

Power (Watt)	Total Air Delivery (CFMave)	Estimated Yearly Energy Cost (\$)	Ceiling Fan Efficiency (CFM/W)
20	4256	\$ 6	211

Light Bulb Information (120V)

Bulb Type	Watts	Lumens Amount	Color Temp	CRI
LED	18	1440	3000	80%