

SW70 Remote Receiver Installation Instructions

READ AND SAVE THESE INSTRUCTIONS

To Be Used With The Caruso® FP7000 Series Fan Assembly Only

Unit Weight 2.6 lbs (1.18 kg)

Applicable only to TR24 Hand-Held Remote or the C25 Wall Control

Be sure the electricity to the fan is turned off!

1. Removing the Housing Support Cover:

Remove the original housing support cover from the fan by unscrewing the four screws and unplugging the wire harness connector (Figures 1).

2. Setting the Receiver Code:

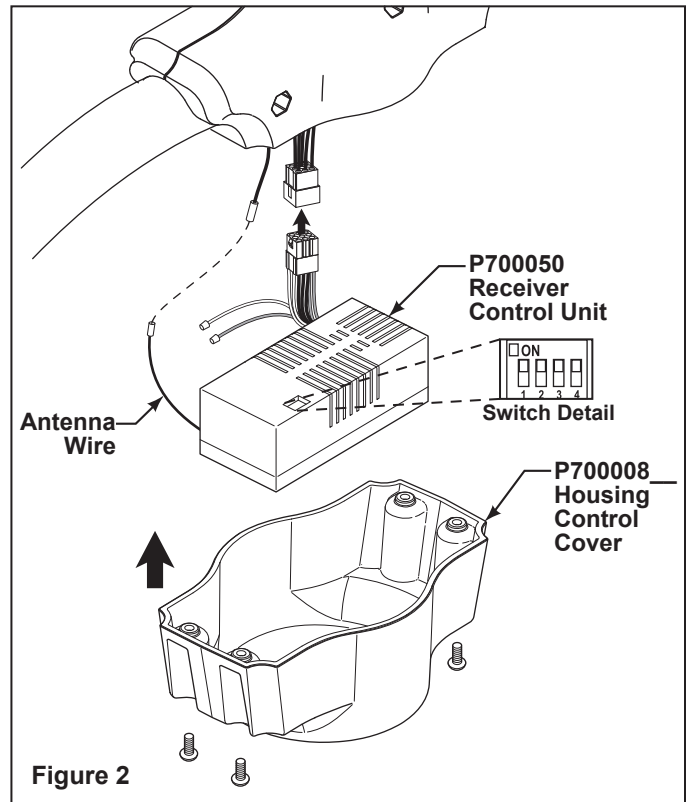
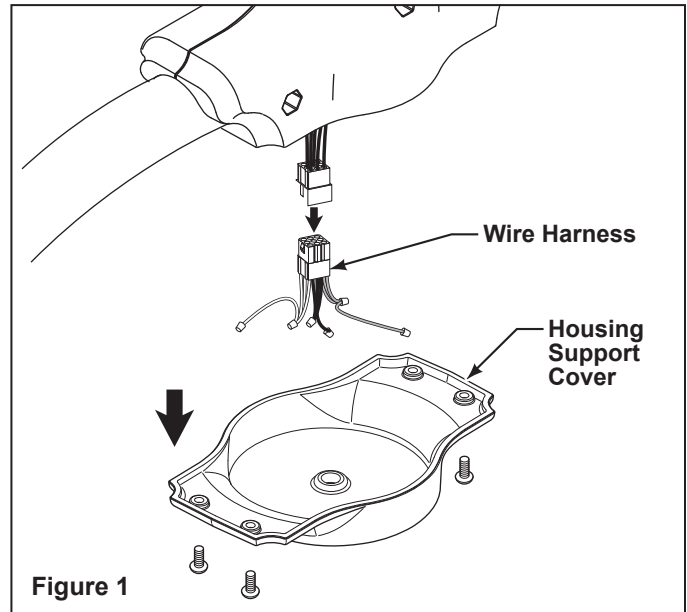
The remote unit has 16 different code combinations. It may be necessary to test a couple frequency code settings to improve signal reception and/or eliminate interference from other remote control household items. Multiple fans should have different code settings to allow independent fan control. To set the code, slide code switches to the same positions as is set on your TR24 or C25 transmitter(s) (Switch Detail - Figure 2).

3. Installing the Remote Receiver Unit:

Connect the plug from the receiver unit into the socket located in the fan assembly. Connect terminal from antenna wire to terminal inside center housing support. Slide housing control cover over the remote receiver unit (Figure 2).

4. Installing the Housing Control Cover:

Slide the assembled housing cover over the housing support base by installing and tightening the four screws (Figure 2).



⚠ WARNING

Check to see that all connections are tight. To avoid possible electrical shock, make sure that the electrical wires are completely inside the switch housing and not pinched between the switch cap base and switch housing.

NOTE: The illustrations shown is not to scale or its actual configuration(s) may vary.



10983 Bennett Parkway
Zionsville, IN 46077
Toll Free (888) 567-2055 • FAX (866) 482-5215
Outside U.S. call (317) 733-4113
Visit Our Website @ www.fanimation.com

Copyright 2013 Fanimation, Inc.
2013/09

How to Set and Operate Your TR24 (Hand-held) or C25 (Wall) Remote Control

IMPORTANT NOTE: Be sure the code switches are set to the same position as set on your remote receiver unit.

Setting TR24 Hand-held Remote Control:

1. Hand-held Transmitter: Remove battery cover, press firmly below arrow and slide battery cover off. Slide code switches to the same positions as set on your remote receiver (Figure 1). Replace battery cover on the transmitter.

NOTE: In case of weak reception, replace battery inside remote control.

Setting C25 Wall Remote Control:

1. Wall Transmitter: Remove the cover plate. Slide code switches to the same positions as set on your remote receiver. Install the battery. Re-install the cover plate (Figure 3).

NOTE: In case of weak reception, replace battery inside wall control.

2. Installing Wireless Wall Transmitter (Figure 4):

WARNING: Be Sure the Electricity is Turned OFF!

- Remove the existing wall plate and switch.
- Be sure to complete the electrical circuit within the junction box by-passing wall control. Connect black to black, white to white, green to green. Carefully push wires into the outlet box.
- Attach wall control unit to outlet box using the two 6-32 screws provided.
- Attach wall plate to the switch control front using the two small screws provided.
- Restore electrical power.

Operating Hand-Held & Wall Controls:

1. Operating & Using Remote or Wall Transmitter (Figure 2 & 3):

If not using the hand-held remote for long periods of time, remove battery to prevent damage to transmitter. Store the transmitter away from excess heat or humidity.

- HI Push Button – high fan speed
- MED Push Button – medium fan speed
- LOW Push Button – low fan speed
- OFF Push Button – fan off
- Light Push Button – toggles on/off and brightness control for optional light arms

To control either light hold down key to increase or decrease brightness. Tap key quickly to turn light on or off. The light keys have auto resume and will stay at the same brightness as the last time it was turned off.

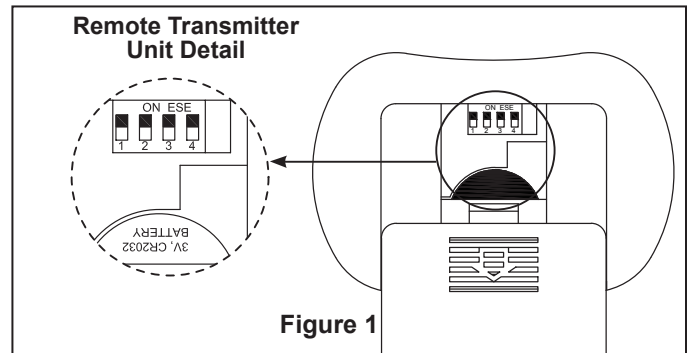


Figure 1

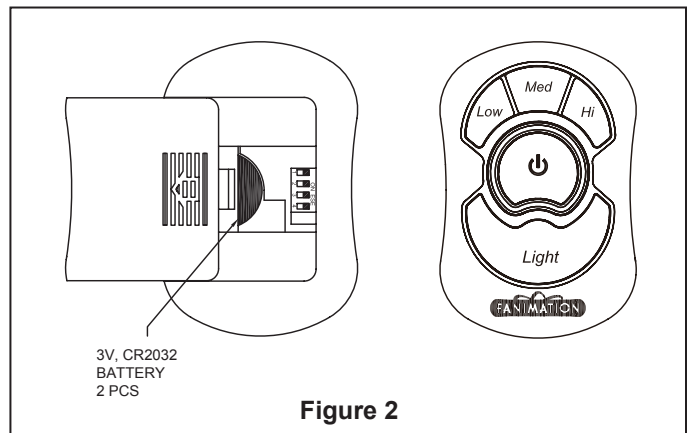


Figure 2

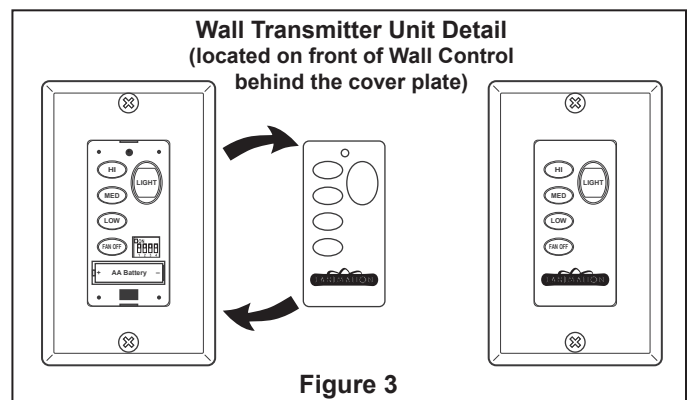


Figure 3

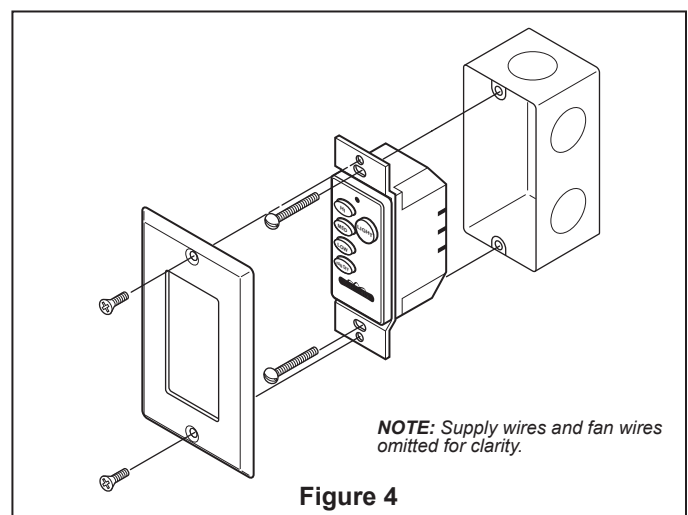


Figure 4