

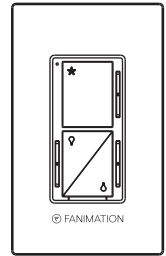
WC3WH Wall Control

SPECIFICATION and INSTRUCTION SHEET

DESCRIPTION: Single 3-speed ceiling fan control with light up/down dimmer switch

ELECTRICAL SPECS: 120V, 60Hz Ceiling Fan

FAN MODELS USED: most Fanimation fans - see catalog or visit our website, fanimation.com for more information



How to Wire and Operate Your Wall Control

NOTE: If fan or supply wires are different colors than indicated, have this unit installed by a qualified electrician.

⚠ WARNING

To avoid possible electrical shock, be sure electricity is turned off at the main fuse box before wiring.

1. Connect wires using connectors as shown in Figure 1. Make wire connections and secure with wire nuts.
 - Connect the Black wire from the wall-mounted control with the wire from the wire of A. C. power supply.
 - Connect the Black wire from the wall-mounted control with the Black wire from the ceiling fan.
 - Connect the Blue wire from the wall-mounted control with the Blue wire from the ceiling fan.
 - Connect the Orange wire from the wall-mounted control with the Orange wire from the ceiling fan
 - Connect the green/yellow wire from the ceiling fan with the ground wire.

2. Attach wall control unit to outlet box using the two screws provided. Then, attach face plate to the wall control. (Figure 2)
 - Restore electrical power.

3. Operating Wall Control: (Figure 3)

- ⊙ - Indicator LED light
- ✱ - Fan off
- ⏮ - Fan speed control: Turns on fan and turns speed up or down.
- 💡 - Up Light: Turns light ON/OFF.
- 💡 - Down Light: Turns light ON/OFF.
- ⏭ - Light Dimmer: Up or down to brighten or dim light.
- - Pull out to turn all power off.

⚠ WARNING

Check to see that all connections are tight, including ground, and that no bare wire is visible at the wire connectors, except for the ground wire. Do not operate fan unless blades are in place. Noise and fan damage could result.

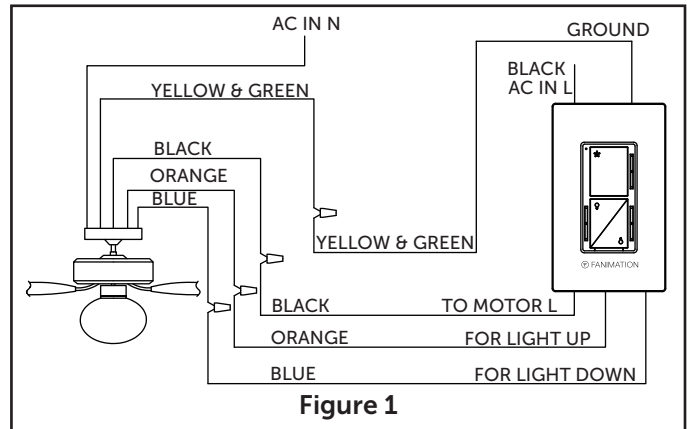
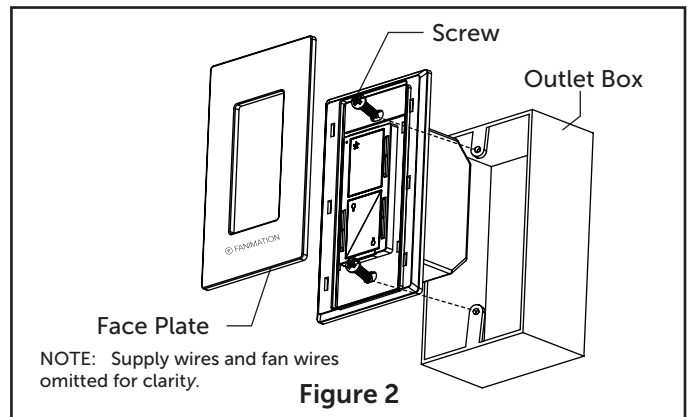


Figure 1



NOTE: Supply wires and fan wires omitted for clarity.

Figure 2

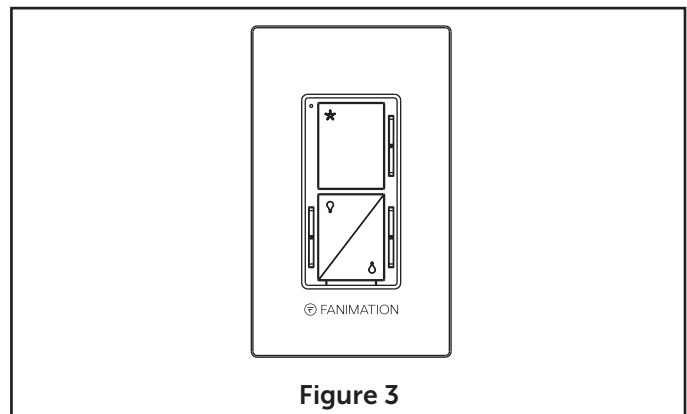


Figure 3

⚠ WARNING

To avoid possible fire or shock, make sure that the electrical wires are completely inside the outlet box and not pinched between the wall plate and the wall.

