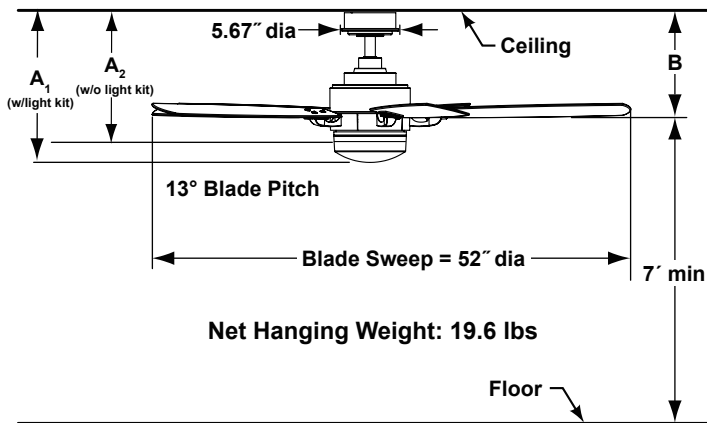


BENITO™

FP8003** Ceiling Fan

**INSTALLATION REQUIREMENTS:**

Ceiling fan attaches to electrical junction box securely anchored and capable of withstanding a load of at least 35 lbs.

ELECTRICAL REQUIREMENTS:

Ceiling fan requires a grounded electrical supply line of 120 volts AC, 60 Hz, 15 amp circuit.

MOTOR SPECS:

172 x 20 AC motor is designed for optimal performance with this fan.

BLADE SETS:

A set of five 21.5" reversible wood blades is included.

CONTROL OPTIONS:

TR24WH hand-held remote control with wall mount is included. Push button remote control has 3 fan speeds, infinite light levels and off button. Optional CW1SW, CW2, C25, CWRL4 and CW60WH wall controls, BTCR9, C4, CRL4WH and CRL8TS hand held remote controls with receiver unit available, BTT9 hand held remote and BTR9 receiver are available—sold separately. Instructions are provided with each control.

LIGHTING OPTIONS:

One bulb (100-watt halogen minican bulb -included) downlight fixture is included with this fan assembly. Maximum downlight wattage not to exceed 100 watts.

DOWNROD OPTIONS:

Fan comes with 1" dia. x 4.5" long downrod (DR1-45). Optional downrods available in 12", 18", 24", 36", 48", 60", and 72" lengths. A downrod coupler is available for installations requiring a downrod longer than 72". Fan can be mounted on a slope ceiling upto 27°. Most sloped ceiling installations require a downrod longer than the standard 4.5" downrod. Optional sloped^d ceiling kits (SCK1-52) are available for slope an angles up to 42°. Optional close-to-ceiling kit is available as well—sold separately. Call technical support for more information.

LOCATION USE:

Fan is rated for dry locations only.

	A ₁	A ₂	B
Fan w/4.5" downrod	15.00"	13.69"	9.92"
Fan w/12" downrod	22.50"	21.19"	17.42"
Fan w/18" downrod	28.50"	27.19"	23.42"
Fan w/24" downrod	34.50"	33.19"	29.42"
Fan w/36" downrod	46.50"	45.19"	41.42"
Fan w/48" downrod	58.50"	57.19"	53.42"
Fan w/60" downrod	70.50"	69.19"	65.42"
Fan w/72" downrod	82.50"	81.19"	77.42"

Available Finishes

BN	Brushed Nickel with Cherry/Walnut Blade and Opal Frosted Glass
MW	Matte White with Matte White Blade and Opal Frosted Glass
OB	Oil-Rubbed Bronze with Mahogany/Walnut Blade and Opal Frosted Glass
PN	Oil-Rubbed Bronze with Cherry/Walnut Blade and Opal Frosted Glass
SN	Oil-Rubbed Bronze with Cherry/Walnut Blade and Opal Frosted Glass

Airflow / Energy Efficiency Info (120V)

Fan Speed	Max RPM	CFM	CFM / Watts	Amps	Watts
High	163	5052	80	0.53	63
Med	110	2933	95	0.43	31
Low	65	2089	182	0.28	12

Energy Guide FTC

Power (W _{ave})	Total Air Delivery (CFM _{ave})	Estimated Yearly Energy Cost (\$)	Ceiling Fan Efficiency (CFM/W)
40	3250	11	82

Light Bulb Information (120V)

Bulb Type	Watts	QTY	Lumens Amount	Color Temp	CRI
Halogen Minican	100	1	1600	2800	99%