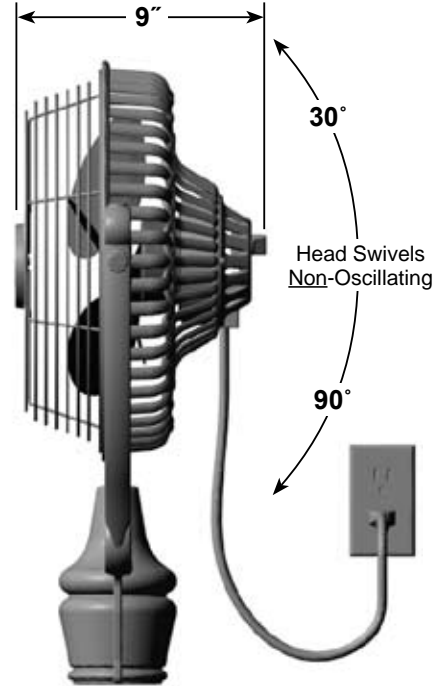
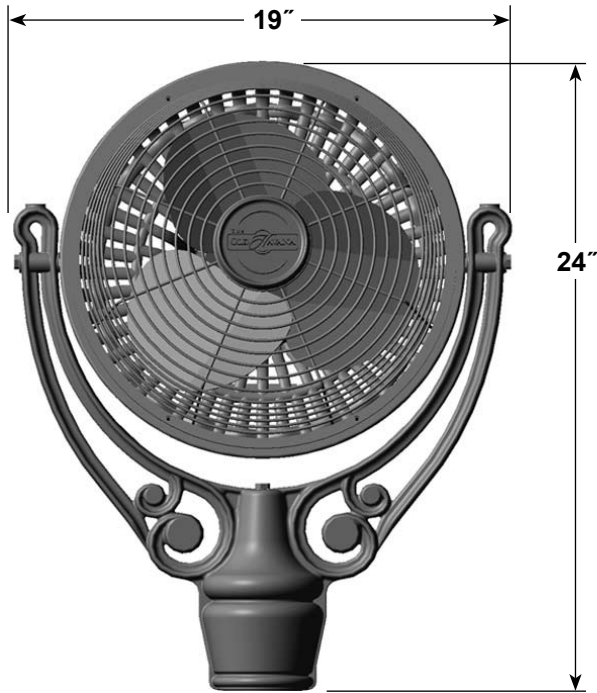


OLD HAVANA® SERIES

FPH210** – Motor Assembly Unit



Motor Unit Specifications

120 volt, 60 Hz, 0.75 amps
Die-cast construction, non-oscillating*
8 ft power cord included
Weight 19 lbs

****Motor Unit Finishes**

FPH210AC	Antique copper (grill, logo & blade)
FPH210BL	Black (Damp)
FPH210RS	Rust (Damp)

Airflow / Energy Efficiency Info (120V)

Fan Speed	Max RPM	CFM	CFM / Watts	Amps	Watts
High	1360	923	18	0.45	52
Med	790	525	15	0.30	35
Low	520	342	127	0.23	3

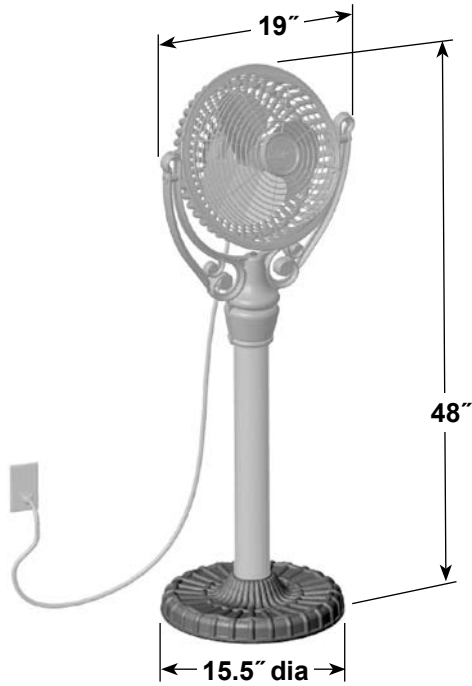
*NOTE: Fan Head does **NOT** oscillate

PRODUCT MOUNT DESCRIPTION

Motor assembly unit (FPH210**) is priced and sold separately from the four different mounting systems (ceiling, floor/desk, wall and pedestal) and accessories.

OLD HAVANA® SERIES

FPH21** – Pedestal Base Accessory Unit

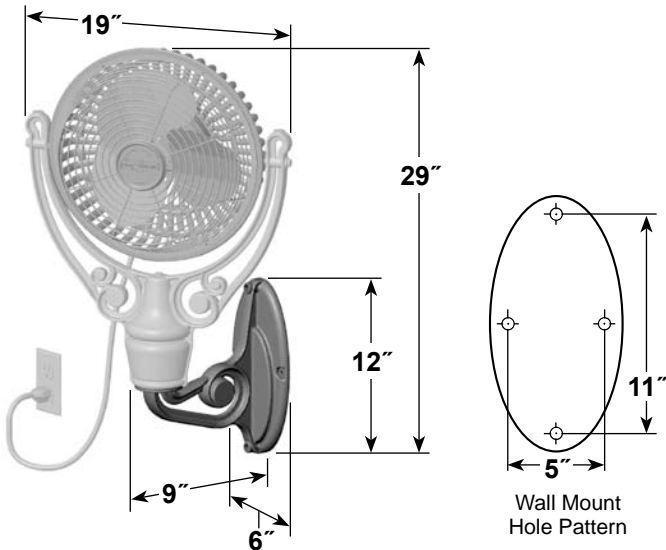


**Pedestal Unit Finishes	
FPH21BL	Black (Damp)

Custom Column Finishes (priced & sold separately)	
FPH70BL	Black (Damp)
FPH70CP	Carved Post

- Weight 29 lbs (assembled)
- Die-cast construction
- Includes mounting hardware
- Wall and remote control not available
- Priced and sold Separately

FPH61** – Wall Mount Accessory Unit

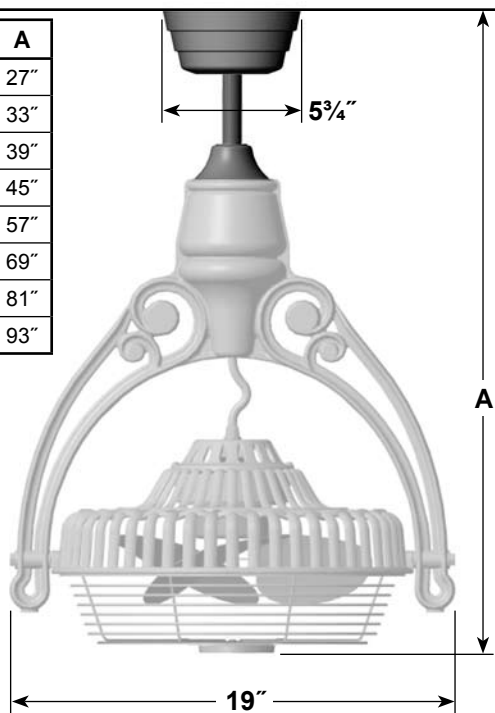


- Weight 27 lbs (assembled)
- Die-cast constructio
- Includes mounting hardwar
- Wall and remote control not available
- Priced and sold separatel

**Wall Unit Available Finishes	
FPH61BL	Black (Damp)
FPH61RS	Rust (Damp)

FPH81** – Ceiling Accessory Unit

Fan Assembly	A
Fan w/6" downrod	27"
Fan w/12" downrod	33"
Fan w/18" downrod	39"
Fan w/24" downrod	45"
Fan w/36" downrod	57"
Fan w/48" downrod	69"
Fan w/60" downrod	81"
Fan w/72" downrod	93"



- Weight 22 lbs (assembled)
- Includes 6" downrod (longer downrods sold separately)

- Includes mounting hardware
- Attaches to electrical junction box
- Priced and sold separately

**Ceiling Unit Available Finishes	
FPH81BL	Black (Damp)
FPH81RS	Rust (Damp)