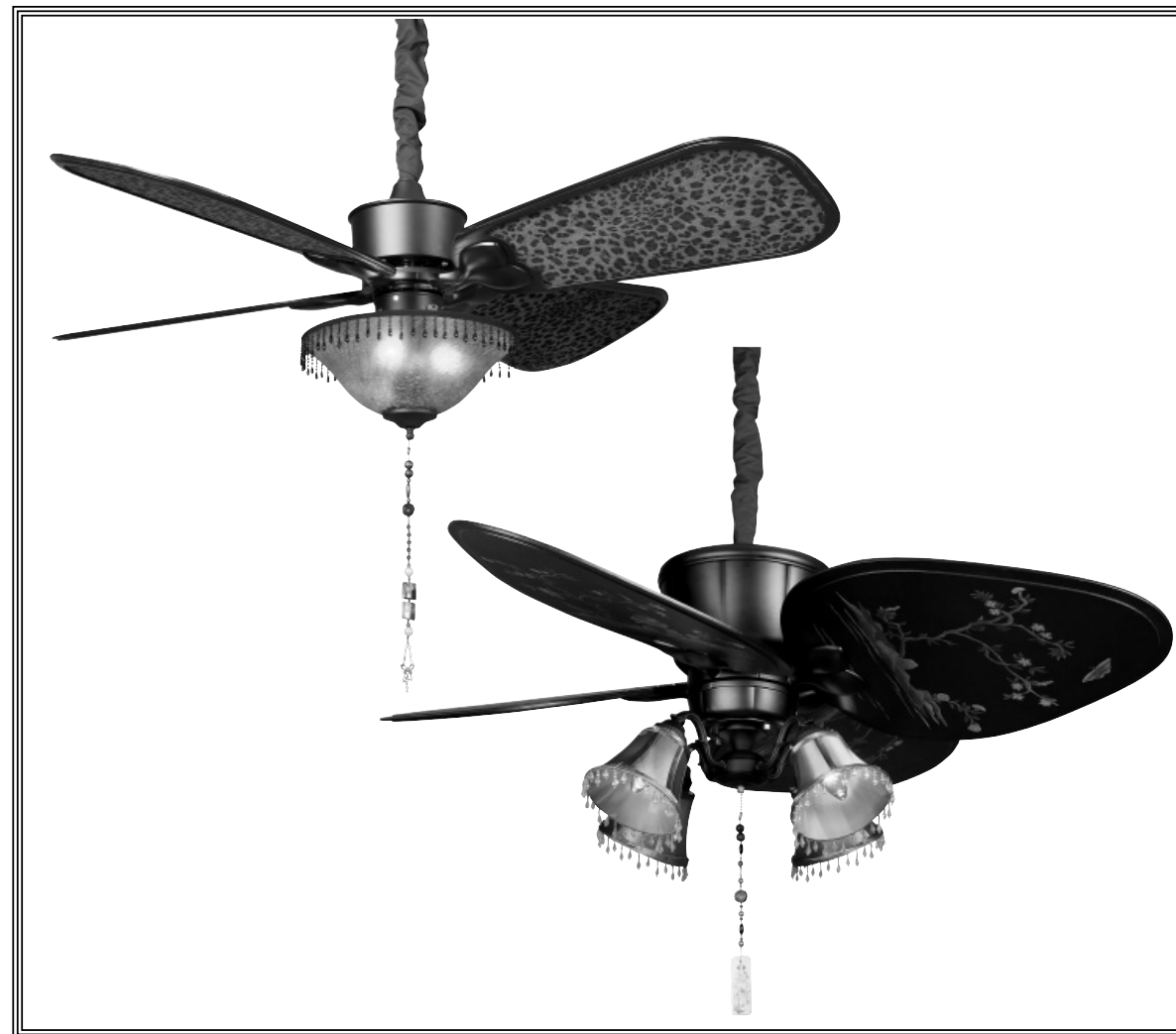


MICHAEL DAVID'S ADVENTURE™ / SEANEY'S VOYAGE™ Series Fans



SPECIFICATION SHEET



10983 Bennett Parkway
Zionsville, IN 46077
Toll Free (888) 567-2055
FAX (866) 482-5215
Outside U.S. call (317) 733-4113
Visit Our Website www.fanimation.com

Copyright 2007 Fanimation, Inc.



2007/12

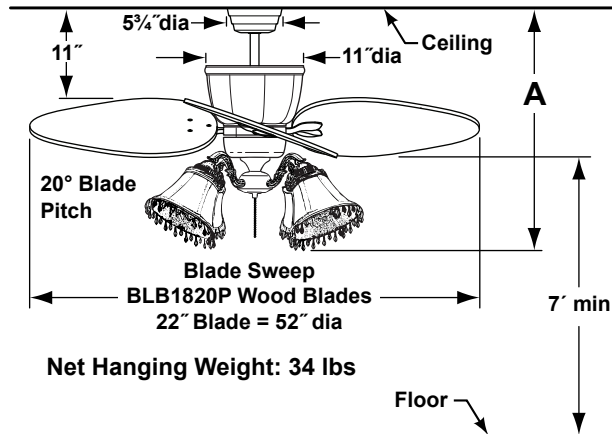


Product Specifications subject to change

Lauren Brooks™ & Lauren Brooks Collection™ are trademarks of Lauren Brooks, Inc.



Michael David's Adventure™ Fan Assembly – LB1820BL



Dimensions shown in inches

Fan Assembly Includes:	
MALB1820BL	Fan Motor Ass'y
ABLB1820PS	Wood Blades (4)
LKLB419BL	Light Kit Ass'y with 4 Shades

Fan & LK Ass'y	A
Fan w/6" downrod	26"
Fan w/12" downrod	32"
Fan w/18" downrod	38"
Fan w/24" downrod	44"
Fan w/36" downrod	56"
Fan w/48" downrod	68"
Fan w/60" downrod	80"
Fan w/72" downrod	92"

INSTALLATION REQUIREMENTS:

Ceiling fan is secured to a structural member such as a ceiling joist and must be capable of withstanding a load of at least 50 pounds. A lag bolt pass through the junction box and into the wood member above.

ELECTRICAL REQUIREMENTS:

Ceiling fan requires a grounded electrical supply line of 120 volts AC, 60 Hz, 15 amp circuit.

FAN SPEEDS:

3-speeds, reversing: High – 105 rpm; Med – 69 rpm; Low – 42 rpm

CONTROL OPTIONS:

The wall control (C23, includes white faceplate) and receiver (P2550) are all included. Pushbutton control with frequency code settings located on both the transmitter and the receiver units. Each push button unit will consist of 3 separate speeds, reverse, up/down light controls, and off button. Installation and operating instructions provided with each control.

LIGHTING OPTIONS:

The 3-bulb uplight fixture is included with this fan motor assembly, with a maximum of 120 watts (candelabra bulbs, 40 watt max - not included). The 4-bulb light fitter and beaded-shade kit (LKLB419BL) is also included with this fan assembly, with a maximum of 160 watts (med-based bulbs, 40 watt max - not included).

DOWNROD OPTIONS:

Michael David's Adventure™ fan comes with a standard 6" downrod. Optional downrods are available in 12", 18", 24", 36", 48", 60", and 72". For installations requiring a longer downrod, a downrod coupler is available. The fan can be mounted on a sloped ceiling up to 30°. Most sloped ceiling installations require a downrod longer than the standard 6" downrod. Optional sloped ceiling ball kits (SCB52) are available for up to 52°. Call tech support for more information.

BLADE SETS:

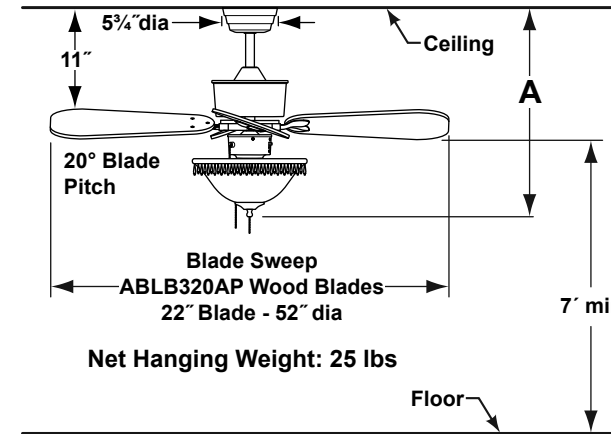
Wooden blade holder mounting set (included) consist of 4 blade holders. Set of 4 wooden (ABLB1820PS) painted-scene blades are included with this fan. Not recommended for Damp Location.

DAMP LOCATION:

Fan assembly not rated for Damp Location usage..



Seaney's Voyage™ Fan Assembly – LB320BL



Dimensions shown in inches

Fan Assembly Includes:	
MALB320BL	Fan Motor Ass'y
ABLB320AP	Wood Blades (4)
LKLB4AC	Light Kit Ass'y with Glass Bowl

Fan & LK Ass'y	A
Fan w/6" downrod	22"
Fan w/12" downrod	28"
Fan w/18" downrod	34"
Fan w/24" downrod	40"
Fan w/36" downrod	52"
Fan w/48" downrod	64"
Fan w/60" downrod	76"
Fan w/72" downrod	88"

INSTALLATION REQUIREMENTS:

Ceiling fan attaches to electrical junction box securely anchored and capable of withstanding a minimum load of 50 lbs.

ELECTRICAL REQUIREMENTS:

Ceiling fan requires a grounded electrical supply line of 120 volts AC, 60 Hz, 15 amp circuit.

FAN SPEEDS:

Pull-chain, 3-speeds, reversing switch: High – 98 rpm; Med – 64 rpm; Low – 30 rpm

CONTROL OPTIONS:

Optional controls are: C1 or C2 wall controls; C4 remote control with canopy receiver; SW50 switch cap receiver with C20 remote and/or C21 wall control.

LIGHTING OPTIONS:

3-bulb downlight fitter and beaded glass bowl light kit (LKLB4AC) is included, with a maximum of 180 watts (candelabra bulbs, 60 watt max - not included).

DOWNROD OPTIONS:

Seaney's Voyage™ fan comes with a standard 6" downrod. Optional downrods are available in 12", 18", 24", 36", 48", 60", and 72". For installations requiring a longer downrod, a downrod coupler is available. The fan can be mounted on a sloped ceiling up to 30°. Optional sloped ceiling kits are available for up to 52°. Call tech support for more information.

BLADE SETS:

Wooden blade holder mounting set (included) consist of 4 blade holders. Set of 4 wooden (ABLB320AP) animal-print blades are included with this fan. Not recommended for Damp Location.

DAMP LOCATION:

Fan assembly not rated for Damp Location usage.