

The Old Havana[®]

Series Fans



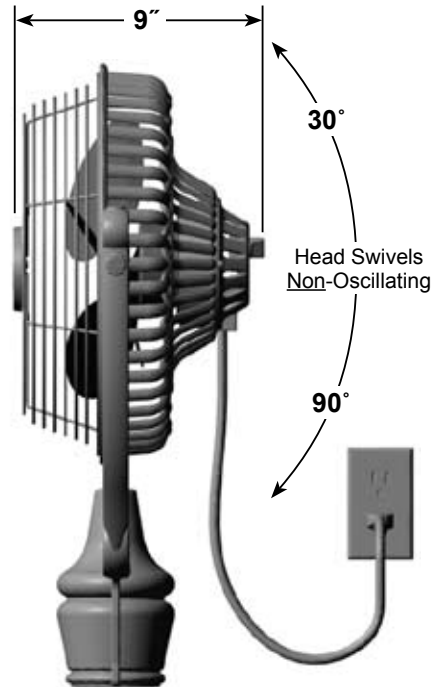
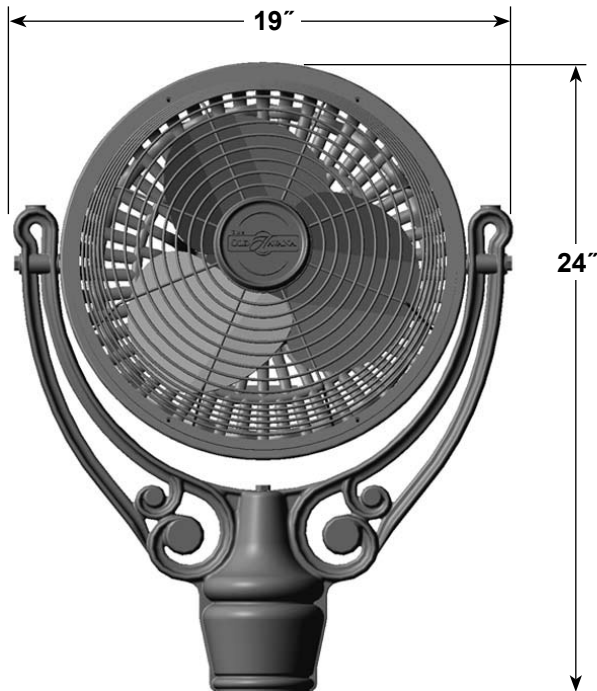
SPECIFICATION SHEET



celebrating 25 years

Product Specifications subject to change

The Old Havana[®] FPH210** – Motor Assembly Unit



Motor Unit Specifications

120 volt, 60 Hz, 0.75 amps
 Die-cast construction, non-oscillating*
 8 ft power cord included
 High—1,350 rpm; Med—570 rpm; Low—350 rpm
 Weight 19 lbs
 220VAC, 50 Hz export version is available

**Motor Unit Finishes

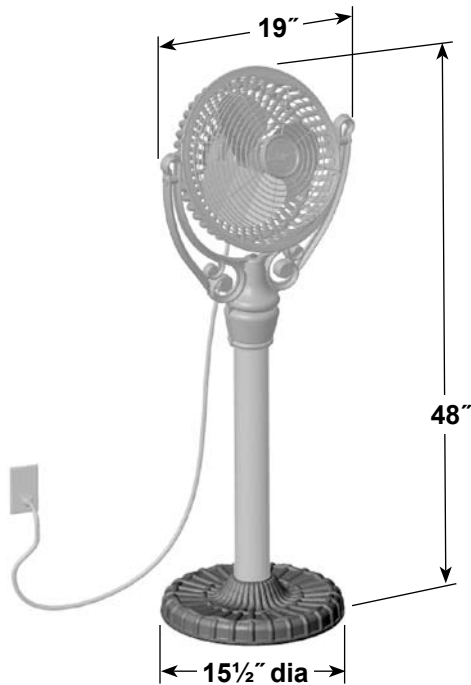
FPH210AC	Antique copper (grill, logo & blade)
FPH210BL	Black (Damp)
FPH210PW	Pewter (grill, logo & blade)
FPH210RS	Rust (Damp)

*NOTE: Fan Head does **NOT** oscillate

PRODUCT MOUNT DESCRIPTION

Motor assembly unit (FPH210**) is priced and sold separately from the four different mounting systems (ceiling, floor/desk, wall and pedestal) and accessories.

FPH21** – Pedestal Base Accessory Unit

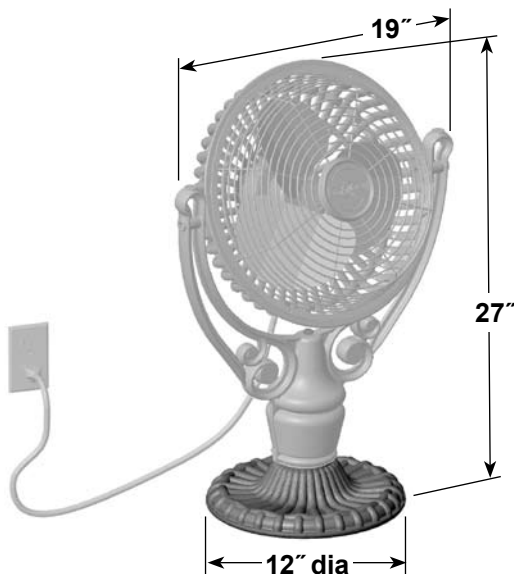


- Weight 29 lbs (assembled)
- Die-cast construction
- Includes mounting hardware
- Wall and remote control not available
- Priced and sold Separately

**Pedestal Unit Finishes	
FPH21BL	Black (Damp)
FPH21RS	Rust (Damp)

<p>Cane Carved Steel</p>	
Custom Column Finishes (priced & sold separately)	
FPH70BL	Black (Damp)
FPH70CP	Carved Post
FPH70CW	Cane Wrapped

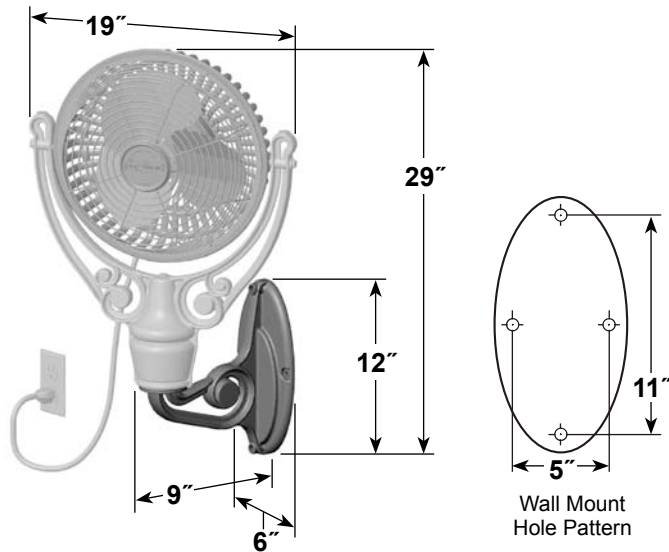
FPH41** – Floor/Desk Base Accessory Unit



- Weight 25 lbs (assembled)
- Die-cast construction
- Includes mounting hardware
- Wall and remote control not available
- Priced and sold separately

**Floor/Desk Unit Available Finishes	
FPH41BL	Black (Damp)
FPH41RS	Rust (Damp)

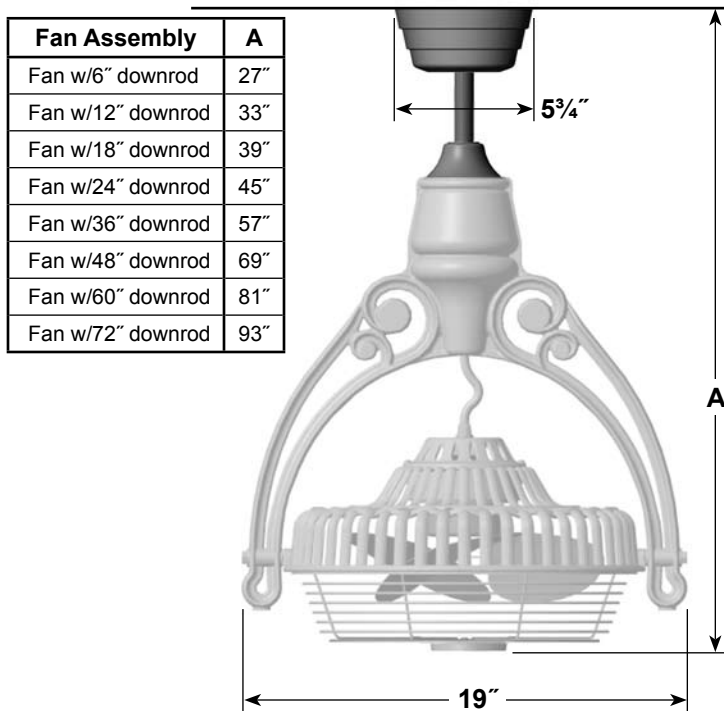
FPH61** – Wall Mount Accessory Unit



- Weight 27 lbs (assembled)
- Die-cast construction
- Includes mounting hardware
- Wall and remote control not available
- Priced and sold separately

**Wall Unit Available Finishes	
FPH61BL	Black (Damp)
FPH61RS	Rust (Damp)

FPH81** – Ceiling Accessory Unit



- Weight 22 lbs (assembled)
- Includes 6" downrod (longer downrods sold separately)
- Will operate with CH4 remote control and CH1 or CH1V wall control (sold separately)
- Includes mounting hardware
- Attaches to electrical junction box
- Priced and sold separately

**Ceiling Unit Available Finishes	
FPH81BL	Black (Damp)
FPH81RS	Rust (Damp)

Controls (for use with Ceiling Unit)	
Catalog #	Description
CH1	Wall control
CH1V	Wall control (ivory)
CH4	Hand-held remote



Copyright 2009 Fanimation, Inc.

10983 Bennett Parkway
 Zionsville, IN 46077
 Toll Free (888) 567-2055
 FAX (866) 482-5215
 Outside U.S. call (317) 733-4113
 Visit Our Website www.fanimation.com



2009/01