

# CH1 Wall Control

## SPECIFICATION and INSTRUCTION SHEET

**DESCRIPTION:** One Fan (no light) Only, 3 Speed-Slide Control

**ELECTRICAL SPECS:** 120 Volts, 60 Hertz, Fan 1.25 amps, 2 Wire Installation

**FAN MODEL USED:** • Old Havana (For use with Ceiling or Wall Accessory)



## How to Wire and Operate Your CH1 Wall Control

**NOTE:** If fan or supply wires are different colors than indicated, have this unit installed by a qualified electrician.

### 1. Installing Wall Control (Figures 1 & 2):

- With electrical power still disconnected, remove the existing wall plate and switch.
- Make wiring connections with wire nuts as shown in Figure 1.
  - One black wire from wall control unit to black (hot supply).
  - One black wire from wall control unit to black wire leading to ceiling outlet box.
- Attach wall control unit to outlet box using the two 6-32 screws provided.
- Attach wall plate to the switch control front using the two small screws provided.
- Restore electrical power.

### ⚠ WARNING

To avoid possible fire or shock, make sure that the electrical wires are completely inside the outlet box and not pinched between the wall plate and the wall.

### ⚠ WARNING

Check to see that all connections are tight, including ground, and that no bare wire is visible at the wire connectors, except for the ground wire. Do not operate fan until the blades is in place. Noise and fan damage could result.

### 2. Operating & Using Wall Control:

**NOTE:** Set fan switch to high speed before using the wall control. You can now use your speed control to select any of the 3-speeds plus OFF.

- 3 Slide Switch – low fan speed
- 2 Slide Switch – medium fan speed
- 1 Slide Switch – high fan speed
- OFF Switch – fan off

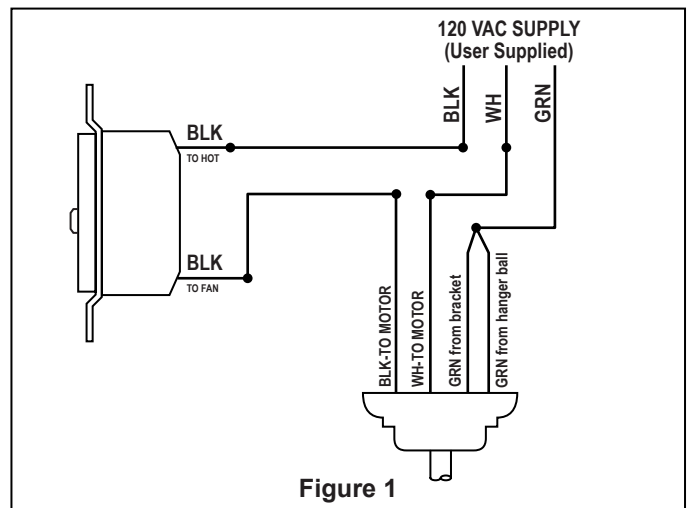
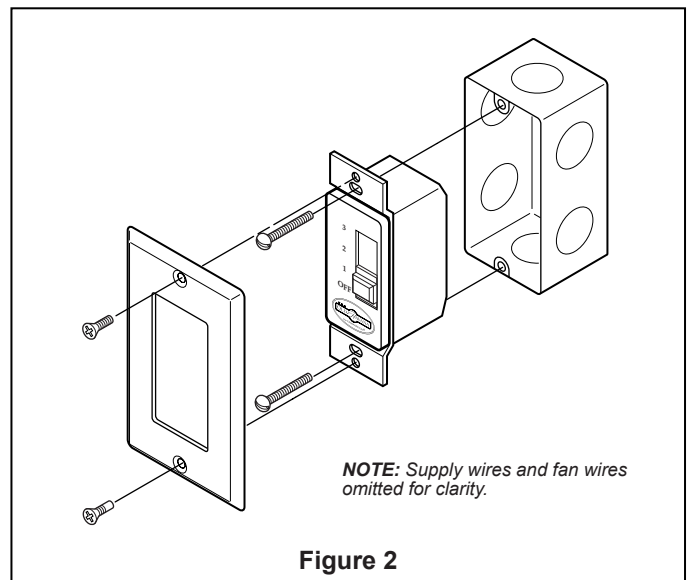


Figure 1



**NOTE:** Supply wires and fan wires omitted for clarity.

Figure 2



10983 Bennett Parkway  
Zionsville, IN 46077  
(888) 567-2055 • FAX (866) 482-5215  
Outside U.S. call (317) 733-4113  
Visit Our Website @ [www.fanimation.com](http://www.fanimation.com)

Copyright 2004 Fanimation  
2004/08