

**HUGH™ 52**

**FPS8355\*\***

# 52" Wet Location Ceiling Fan

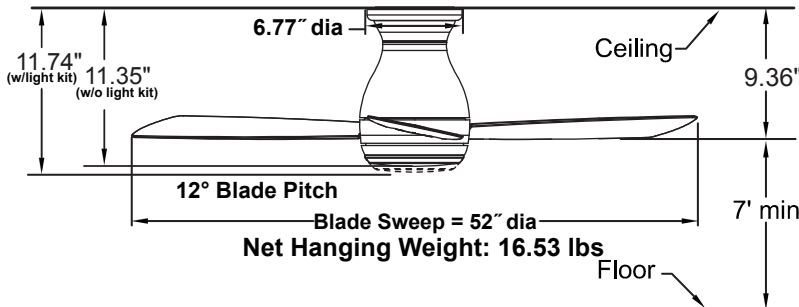


### Ceiling Bracket

Width of the screw slot



0.67" 2.52"



### INSTALLATION REQUIREMENTS:

Fan must be attached to a securely anchored electrical junction box capable of withstanding a load of at least 35 lbs.

### ELECTRICAL REQUIREMENTS:

Requires a grounded electrical supply line of 120 volts AC, 60 Hz, 15 amp circuit.

### MOTOR SPECS:

153 x 20 AC motor is designed for optimal performance with this fan.

### BLADE SET:

A set of three 23.5" composite blades is included.

### CONTROL OPTIONS:

CW60WH-8332-8355 wall control is included.

Switch control has 3 fan speeds, light levels and off button. The reverse switch is inside the light kit.

Optional CW1SW and CW2 wall controls, and optional BTR9 and CRL4WH hand-held remote controls with receiver units and BTR9 receiver unit are available—sold separately. Instructions are provided with each control.

### LIGHTING OPTIONS:

One 18-watt LED included.

### LOCATION USE:

Fan is rated for dry, damp and wet locations.

### Available Finishes

BNW	Brushed Nickel with Brushed Nickel blades and Opal Frosted Glass / Composite Cap
DZW	Dark Bronze with Dark Bronze blades and Opal Frosted Glass / Composite Cap
GRW	Matte Greige with Matte Greige blades and Opal Frosted Glass / Composite Cap
MWW	Matte White with Matte White blades and Opal Frosted Glass / Composite Cap

### Fan Airflow / Energy Efficiency Info (120V)

Fan Speed	Max RPM	CFM	CFM / Watts	Amps	Watts
High	200	5838	114	0.42	51
Med	146	4360	150	0.32	29
Low	89	2867	217	0.21	13

### Light Bulb Information (120V)

Bulb Type	Watts	QTY	Lumens Amount	Color Temp	CRI
LED	18	1	1440	3000	80%

### Energy Guide FTC

Power (W <sub>ave</sub> )	Total Air Delivery (CFM <sub>ave</sub> )	Estimated Yearly Energy Cost (\$)	Ceiling Fan Efficiency (CFM/W)
33	3314	9	99