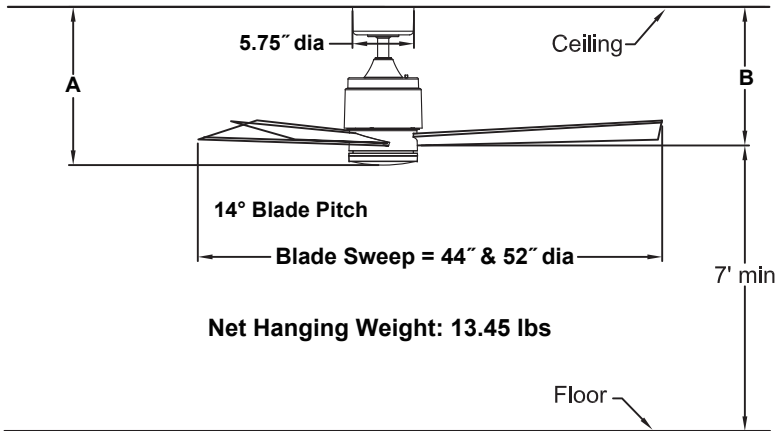
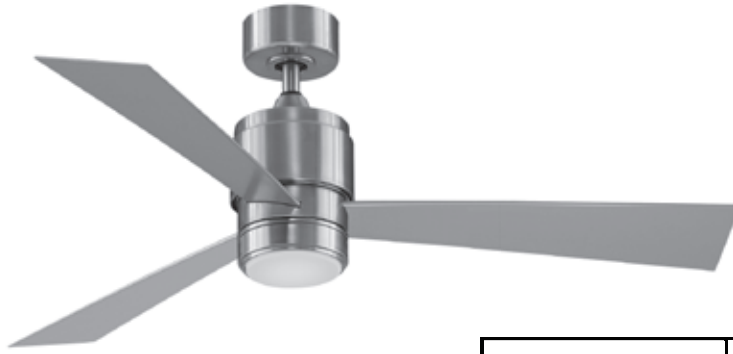


**Zonix™ Wet Custom**

# MA4660SSBNW Stainless Steel Ceiling Fan



	A	B
Fan w/4.5" downrod	14.55"	13.05"
Fan w/12" downrod	22.05"	20.55"
Fan w/18" downrod	28.05"	26.55"
Fan w/24" downrod	34.05"	32.55"
Fan w/36" downrod	46.05"	44.55"
Fan w/48" downrod	58.05"	56.55"
Fan w/60" downrod	70.05"	68.55"
Fan w/72" downrod	82.05"	80.55"

### Available Finishes

SSBNW	Brushed Nickel
-------	----------------

### INSTALLATION REQUIREMENTS:

Ceiling fan attaches to electrical junction box securely anchored and capable of withstanding a load of at least 35 lbs.

### ELECTRICAL REQUIREMENTS:

Ceiling fan requires a grounded electrical supply line of 120 volts AC, 60 Hz, 15 amp circuit.

### MOTOR SPECS:

153 x 18 AC motor is designed for optimal performance with this fan.

### BLADE SETS OPTIONS:

A set of three 20" and 24" all weather composite blades—sold separately

### LIGHTING OPTIONS:

LK4660SSBNW – One 18 watt dimmable LED—sold separately.

### CONTROL OPTIONS:

TR500 hand-held remote control is included. Push button remote control with variable fan speeds, infinite light levels, fan/light timer and off button. Optional CW1, CW1SW, CW2 and CW60WH wall controls, BTCR9 remote control with receiver unit, CRL4WH, C4, CRL8TS hand held remote controls and BTR9 receiver are available—sold separately. Instructions are provided with each control.

### DOWNROD OPTIONS:

Fan comes with 1" dia. x 4.5" long wet-location downrod (DR1SS-4.5SSBNW). Optional wet-location downrods are available in 12", 18", 24", 36", 48", 60", and 72" lengths. A downrod coupler is available for installations requiring a downrod longer than 72". Fan can be mounted on a sloped ceiling up to 27°. Most sloped ceiling installations require a downrod longer than the standard 18" downrod. Optional sloped ceiling ball kits (SCB1-52) are available for slope angles greater than 27° and up to 42°. Optional close-to-ceiling kit is available. Call technical support for more information.

### LOCATION USE:

Fan is rated for dry, damp and wet locations.

### Airflow / Energy Efficiency Info (120V)

Fan Speed	Max RPM	CFM	CFM / Watts	Amps	Watts
High	158	4819	90	0.44	53
Med	107	3310	116	0.37	28
Low	76	2092	165	0.22	13

### Energy Guide FTC

Measured with BPW4660-44 Blade in 44" sweep

Power (W <sub>ave</sub> )	Total Air Delivery (CFM <sub>ave</sub> )	Estimated Yearly Energy Cost (\$)	Ceiling Fan Efficiency (CFM/W)
33	3179	9	96

### Energy Guide FTC

Measured with BPW4660-52 Blade in 52" sweep

Power (W <sub>ave</sub> )	Total Air Delivery (CFM <sub>ave</sub> )	Estimated Yearly Energy Cost (\$)	Ceiling Fan Efficiency (CFM/W)
35	3524	10	100