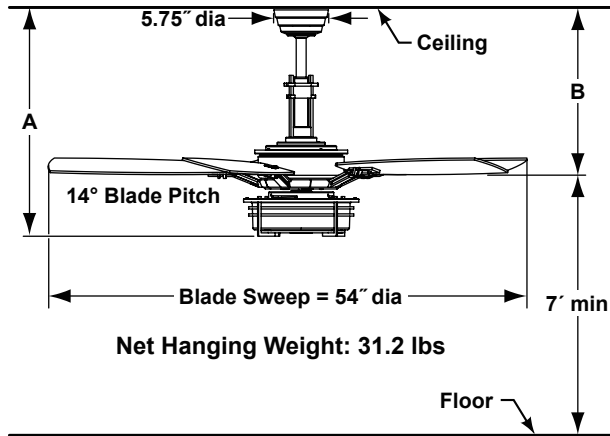




**ANDOVER™**  
**FP5220\*\***  
**Ceiling Fan**



	A	B
Fan w/6" downrod	18.10"	10.30"
Fan w/12" downrod	24.10"	16.30"
Fan w/18" downrod	30.10"	22.30"
Fan w/24" downrod	36.10"	28.30"
Fan w/36" downrod	48.10"	40.30"
Fan w/48" downrod	60.10"	52.30"
Fan w/60" downrod	72.10"	64.30"
Fan w/72" downrod	84.10"	76.30"

**INSTALLATION REQUIREMENTS:**

Fan must be attached to a securely anchored electrical junction box capable of withstanding a load of at least 50 lbs.

**ELECTRICAL REQUIREMENTS:**

Requires a grounded electrical supply line of 120 volts AC, 60 Hz, 15 amp circuit.

**MOTOR SPECS:**

188 x 20 motor is designed for optimal performance with this fan.

Available Finishes	
OB	Oil-rubbed bronze with amber glass
PW	Pewter with opal frosted glass

Airflow / Energy Efficiency Info (120V)					
Fan Speed	Max RPM	CFM	CFM / Watts	Amps	Watts
High	164	5732	87	0.55	66
Med	128	4366	103	0.49	42
Low	92	2983	127	0.39	23

**BLADES:**

A set of five 20.5" reversible cherry/walnut finish wood blades is included.

**CONTROL OPTIONS:**

TR24WH hand-held remote control with wall mount is included. Push button remote control has 3 fan speeds, infinite light levels and off button. Optional CWRL4 wall control, CRL4WH and CRL8TS hand-held remote control are available—sold separately. Instructions are provided with each control.

**LIGHTING OPTIONS:**

3-bulb downlight fixture with three 40-watt candelabra bulbs is included. Maximum downlight wattage is not to exceed 120 watts.

**DOWNROD OPTIONS:**

Fan comes with 1" dia. x 6" long & 1" dia. x 12" long downrods (DR1-6 & DR1-12) and decorative downrod sleeve. Optional downrods available in 18", 24", 36", 48", 60", and 72" lengths. A downrod coupler is available for installations requiring a downrod longer than 72". Fan can be mounted on a sloped ceiling up to 30°. Most sloped ceiling installations require a downrod longer than the standard 6" downrod. Optional sloped ceiling ball kits (SCB1-52) are available for slope angles greater than 30° and up to 52°. Optional close-to-ceiling kit is available as well—sold separately. Call technical support for more information.

**LOCATION USE:**

Fan is rated for dry locations only.