

C21 Wall Control

SPECIFICATION and INSTRUCTION SHEET



DESCRIPTION: One Ceiling Fan and Light, 3 Speed, Reversing Wall Control

FAN MODEL USED: Must operate in conjunction with SW50 Switch Cap Control Receiver
 May be used in conjunction with TR20** Remote Control
 See Catalog or visit our website www.fanimation.com for more information

How to Wire and Operate Your C21 Wall Control

NOTE: If fan or supply wires are different colors than indicated, have this unit installed by a qualified electrician.

⚠ WARNING

To avoid possible electrical shock, be sure electricity is turned off at the main fuse box before wiring.
NOTE: If you are not sure if the outlet box is grounded, contact a licensed electrician for advice, as it must be grounded for safe operation.

1. Setting the Code: The remote unit has 16 different code combinations. It may be necessary to test a couple frequency code settings to improve signal reception and/or eliminate interference from other remote control household items. Multiple fans should have different code settings to allow independent fan control. To set the code, perform these steps.

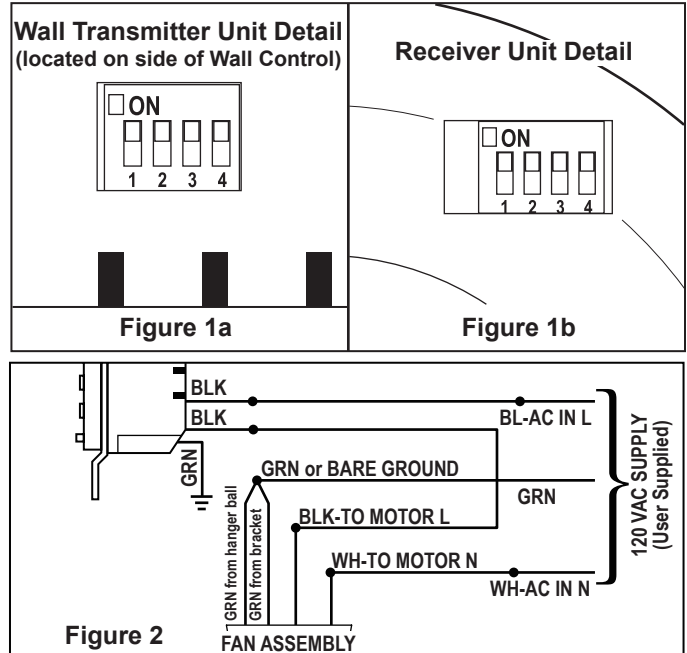
- **Transmitter:** located on back side of unit. Slide code switches to your choice of up or down position. Factory setting is all up. Do not use this position. With a small screwdriver or ball point pen slide firmly up or down (Figure 1a).
- **Receiver:** Slide code switches to the same positions as set on your transmitter (Figure 1b).

2. Wiring & Installing Wall Control Transmitter:

- With electrical power still disconnected, remove the existing wall plate and switch.
- Make wiring connections with wire nuts as shown in Figure 2.
 - One black wire from wall control unit to black (hot supply)
 - One black wire from wall control unit to black wire leading to ceiling outlet box.
 - One green wire from wall control unit to wall outlet box.
- Attach wall control unit to outlet box using the two 6-32 screw provided.
- Attach wall plate to the switch control front using the two small screws provided.

⚠ WARNING

Check to see that all connections are tight, including ground, and that no bare wire is visible at the wire connectors, except for the ground wire. Do not operate fan until the blades is in place. Noise and fan damage could result.



3. Operating & Using Wall Transmitter:

- HI Push Button – high fan speed
- MED Push Button – medium fan speed
- LOW Push Button – low fan speed
- REV Push Button – toggles between air upflow and air downflow
- OFF Push Button – fan off
- LIGHT Push Button – toggles between light on or light off, also works as light dimmer (see note (if optional light kit or fitter is used))

***NOTE:** To vary light intensity, hold down button to increase or decrease brightness. Tap button quickly to turn light on or off. The light button has auto resume, which maintains the same brightness as the last time it was turned off.



10983 Bennett Parkway
 Zionsville, IN 46077
 (888) 567-2055 • FAX (866) 482-5215
 Outside U.S. call (317) 733-4113
 Visit Our Website @ www.fanimation.com

Copyright 2010 Fanimation
 2013/02