

CW3(C3) Wall Control

SPECIFICATION and INSTRUCTION SHEET



DESCRIPTION: One Fan (no light) Only, 2 Speed-Slide Control

ELECTRICAL SPECS: 120 Volts, 60 Hertz, Max. Fan Load 5 amps,
3 Wire Installation

FAN MODELS USED: • The Palisade • The Caruso

How to Wire and Operate Your CW3(C3) Wall Control

NOTE: If fan or supply wires are different colors than indicated, have this unit installed by a qualified electrician.

1. Installing Wall Control (Figures 1 & 2):

- With electrical power still disconnected, remove the existing wall plate and switch.
- Set the knob and light switch of the wall control in the off (0) position.
- Make wiring connections with wire nuts as shown in Figure 1.
 - One black wire from wall control unit to black (A.C. power supply).
 - One black wire from wall control unit to black wire leading to ceiling outlet box.
 - One green/yellow wire from wall control unit to green ground wire.
- Attach wall control unit to outlet box using the two screws provided. Then, the face plate attaches the wall control. (Figure 2)
- Restore electrical power.

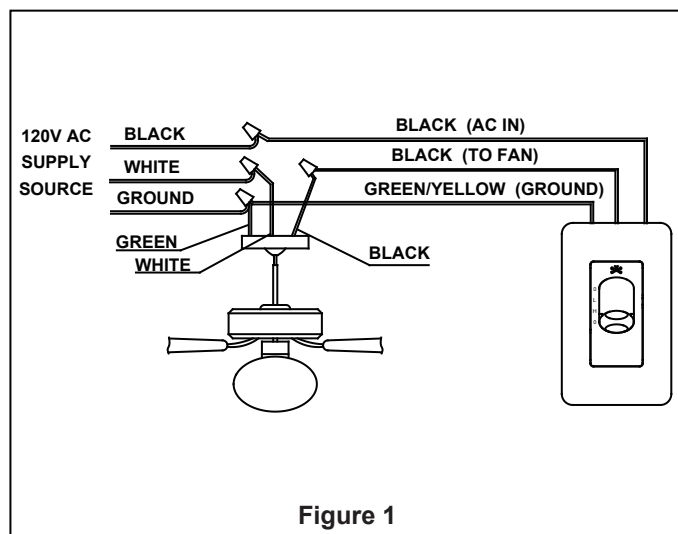


Figure 1

⚠ WARNING

To avoid possible fire or shock, make sure that the electrical wires are completely inside the outlet box and not pinched between the wall plate and the wall.

⚠ WARNING

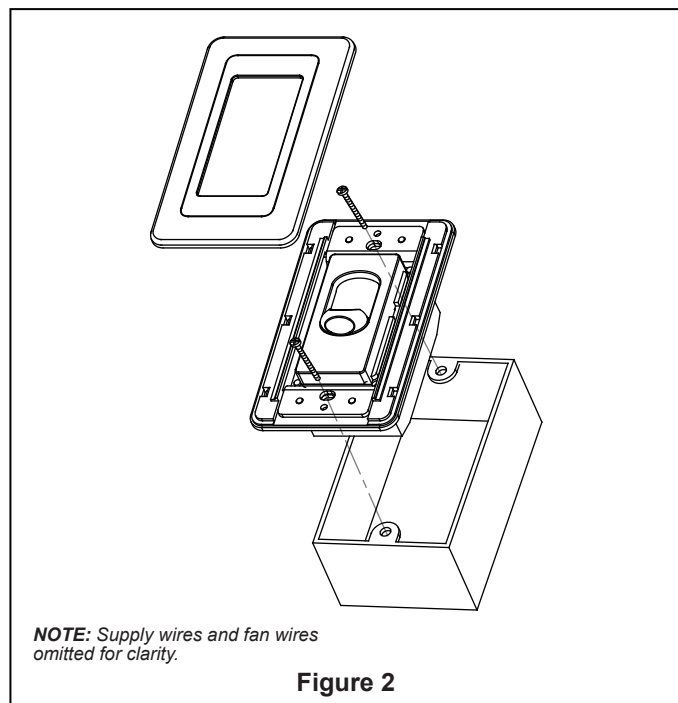
Check to see that all connections are tight, including ground, and that no bare wire is visible at the wire connectors, except for the ground wire. Do not operate fan until the blades is in place. Noise and fan damage could result.

2. Operating & Using Wall Control:

NOTE: Set pull chain to high speed before using wall control. You can now use your speed control to select any of the 2-speeds plus OFF.

Check the operation of the fan by moving the slide switch on the wall control to low and then to high.

- 0 Slide Switch – fan off
- L Slide Switch – low fan speed
- H Slide Switch – high fan speed
- 0 Slide Switch – fan off



NOTE: Supply wires and fan wires omitted for clarity.

Figure 2



10983 Bennett Parkway
Zionsville, IN 46077
(888) 567-2055 • FAX (866) 482-5215
Outside U.S. call (317) 733-4113
Visit Our Website @ www.fanimation.com

Copyright 2010 Fanimation
2010/01