

# C3-220 Wall Control

## SPECIFICATION and INSTRUCTION SHEET



**DESCRIPTION:** One Fan (no light) Only, 2 Speed-Slide Control

**ELECTRICAL SPECS:** 220 Volts, 50 Hertz, Fan 1.25 amps, 2 Wire Installation

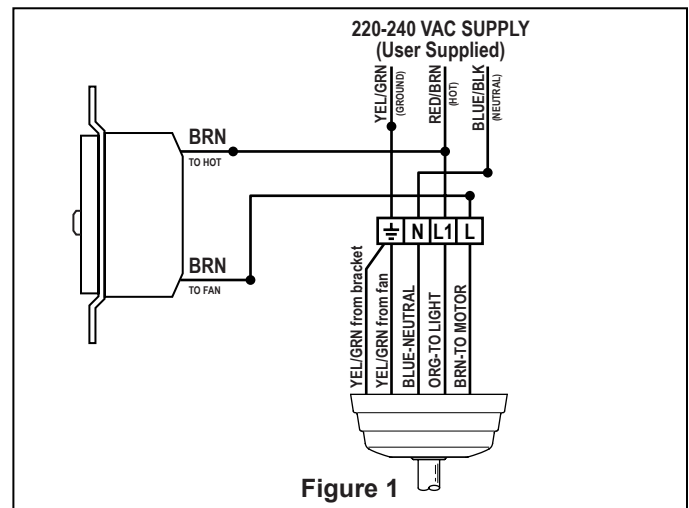
**FAN MODELS USED:** • The Brewmaster • The Palisade

## How to Wire and Operate Your C3-220 Wall Control

**NOTE:** If fan or supply wires are different colors than indicated, have this unit installed by a qualified electrician.

### 1. Installing Wall Control (Figures 1 & 2):

- With electrical power still disconnected, remove the existing wall plate and switch.
- Make wiring connections with wire nuts as shown in Figure 1.
  - One brown wire from wall control unit to red/brown (hot supply).
  - One brown wire from wall control unit to brown wire leading to ceiling outlet box.
- Attach wall control unit to outlet box using the two 6-32 screws provided.
- Attach wall plate to the switch control front using the two small screws provided.
- Restore electrical power.



### **⚠ WARNING**

To avoid possible fire or shock, make sure that the electrical wires are completely inside the outlet box and not pinched between the wall plate and the wall.

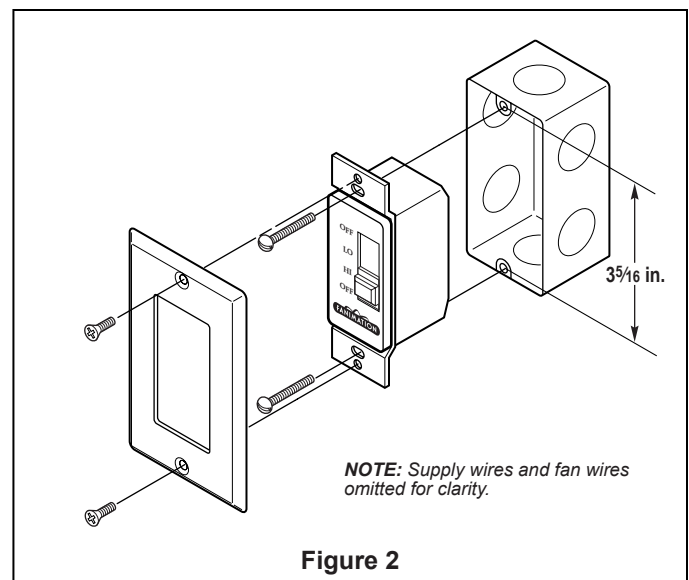
### **⚠ WARNING**

Check to see that all connections are tight, including ground, and that no bare wire is visible at the wire connectors, except for the ground wire. Do not operate fan until the blades is in place. Noise and fan damage could result.

### 2. Operating & Using Wall Control:

Check the operation of the fan by moving the slide switch on the wall control to low and then to high.

- OFF Switch – fan off
- HI Switch – high fan speed
- LO Switch – low fan speed
- OFF Switch – fan off



10983 Bennett Parkway  
Zionsville, IN 46077  
(888) 567-2055 • FAX (866) 482-5215  
Outside U.S. call (317) 733-4113  
Visit Our Website @ [www.fanimation.com](http://www.fanimation.com)

Copyright 2004 Fanimation  
2004/09